

VENCON PV

The All-rounder among the Converters

Photovoltaic converter

Specially engineered as a modular central converter, it features high design flexibility for the complete PV system through three MPP trackers and a broad voltage range.

- ▼ **Modular:** Expandability in steps of 150 kW means total power can be reached for all sizes.
- ▼ **Versatile:** Three different strings with an output of 120 kW each can be operated in a broad voltage range, making the most diverse module configurations possible.
- ▼ **Easy to maintain:** The modular design, air cooling and the ability to control the system remotely (Web Interface) make sure VENCON requires only a minimum amount of maintenance.
- ▼ **Low noise level:** Hybrid silicon carbide semiconductors allow for virtually soundless clocking.
- ▼ **Flexible:** Thanks to its compact design and an outdoor capable housing, VENCON is suitable for use in any location.



VENCON

VENSYS HYBRID CONVERTER



VENCON

VENSYS HYBRID CONVERTER



SYSTEM COMPONENT

CONTROL CABINET WITH 3 POWER MODULES

Dimensions	1208 x 608 x 2000 (height) mm
Weight	< 950 kg
Indoor housing	IP20
Temperature range, operation	-20 to +40 °C
Cable entry	at the bottom
Cooling	Air Cooling
Place of installation	< 2000 m
Humidity	< 95% non-condensing

POWER MODULES

Three power modules can be housed in each VENCON. Individual DC or AC configuration for each module. For optimal operation, VENCON is equipped with one DC* and two AC** power modules.

* DC power module 3 x 120 kW | ** AC power module 1 x 150 kW

OPERATION AS AN AC POWER MODULE

bi-directional and grid-synchronized

Rated voltage	400 V
Mains frequency	50 or 60 Hz
Switching frequency	4 kHz
Nominal power	300 kW (2x150 kW)
Power factor	0,9 cap to 0,9 ind
Mains protection	U<<, U<, U>, U>>, f<, f>

(performance figures based on the use of two AC power modules)

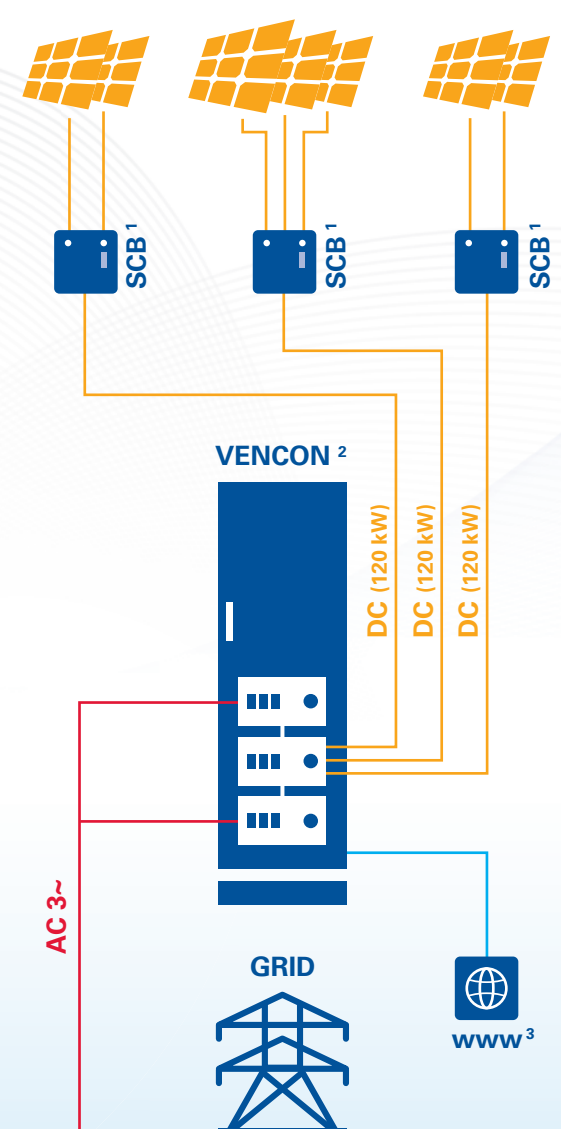
OPERATION AS A DC POWER MODULE

DC/DC converter and bi-directional

MPP voltage range	100 V - 720 V DC
Rated voltage	600 V DC
Max. open circuit voltage	850 V DC
Number of MPP inputs	3
Max. input current per MPP	200 A
Switching frequency	4 kHz

CIRCUIT DIAGRAM

PV modules PV modules PV modules



- 1) String Combiner Box
- 2) DC parallel connection possible with any number of devices
- 3) Web Interface